

7-095.01 Quarter-Turn with L-Handle Pr20.1 L30/50

Hand operable with or without key, IP65, Stainless Steel, Grounding nut

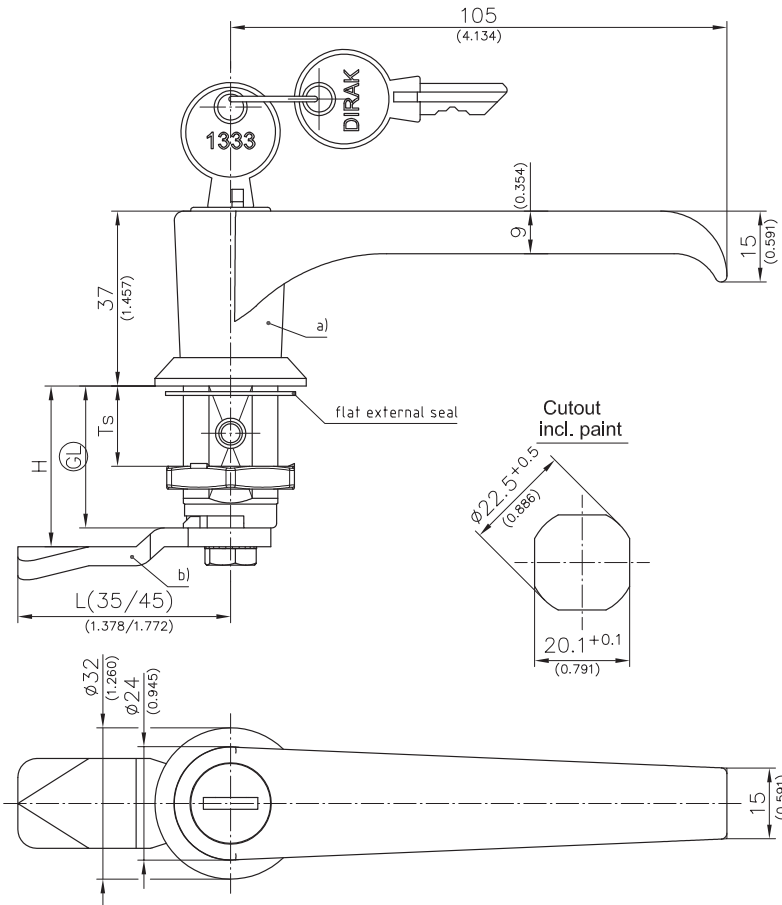


Product Notes:

- Maximum door-thickness 20mm / 40mm
- RH and LH application
- Grounding achieved with single sided grounding nut
- Water and dust tight according to IP65, DIN EN 60529
- Pre-assembled without cam
- Extended housings available. Further housing lengths on request
- Zinc die - see Product System 1-155.01

Material:

- **Handle:** Stainless Steel AISI 316, Satin Polished
- **Housing, grounding nut and adapter:** Stainless Steel
- **Flat external seal:** NBR, black



Length of 4-hole housing (GL)	30	50	See Page
Door-thickness Ts	20	40	
a) Quarter-turn with L-handle with nut			
non locking	100-9407*	100-9410*	
keyed alike 1333	100-9408*	100-9411*	
keyed different	100-9409*	100-9412*	
b) Cams			01.24, 01.101, 01.102, 03.42
Please order separately:			
c) Assembling of cam	200-0001	200-0001	
Assembling cam 90° to handle without O-ring	200-0019	200-0019	
Assembling cam for left door	200-0020	200-0020	

All lockable handles supplied with two keys.

* Price and delivery time on request